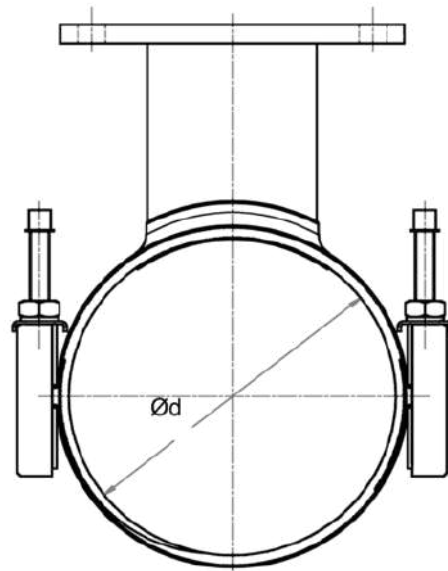


452

Stainless steel repair clamp with flange outlet

Two-parted repair clamp with flange outlet for creating branches on pipelines made of different materials (steel, cast iron, ductile cast iron, asbestos cement, PVC).

- Special gasket design for a secure seal on the pipe surface.
- Body, closure, screws and nuts made of stainless steel
- Gasket material EPDM
- Flange connection to DIN EN 1092, PN 10/16
- Customized production from DN 65 to DN 800 with dimension-dependent lengths up to 750 mm and flanges up to DN 300 possible
- The standard delivery time is 2-3 weeks
- Alternatively available with female thread outlet from 1/2" to 2"
- Temperatur-range: -20°C - +30°C



Gasket EPDM, DIN-EN 681-1 / KTW / UBA / DVGW-W270
PFA/PN Water, max = 16 bar



Reference	d	PN	Flansch DN	Flansch PN	L	SW	Weight [kg]	BX	PU
452-215-300-08	215-226	10	80	10/16	300	17	12,000	1	1
452-215-400-10	215-226	10	100	10/16	400	17	13,200	1	1
452-271-300-08	271-281	10	80	10/16	300	17	12,800	1	1
452-271-400-10	271-281	10	100	10/16	400	17	15,000	1	1
452-271-400-15	271-281	10	150	10/16	400	17	20,460	1	1
452-315-400-08	315-326	10	80	10/16	400	17	16,400	1	1
452-315-400-10	315-326	10	100	10/16	400	17	17,600	1	1
452-315-400-15	315-326	10	150	10/16	400	17	27,000	1	1
452-315-500-20	315-326	10	200	10	500	17	27,000	1	1
452-400-400-08	400-410	10	80	10/16	400	17	19,700	1	1

452

Stainless steel repair clamp with flange outlet

Reference	d	PN	Flansch DN	Flansch PN	L	SW	Weight [kg]	BX	PU
452-425-400-10	425-435	10	100	10/16	400	17	21,000	1	1
452-445-500-20	445-455	10	200	10	500	17	27,900	1	1
452-500-400-08	500-510	10	80	10/16	400	17	18,700	1	1
452-530-400-10	530-540	10	100	10/16	400	17	20,700	1	1
452-555-500-20	555-565	10	200	10	500	17	31,800	1	1
452-605-400-08	605-615	6	80	10/16	400	19	21,600	1	1
452-630-500-20	630-640	6	200	10	500	19	34,400	1	1
452-630-600-30	630-640	6	300	10	600	19	45,500	1	1